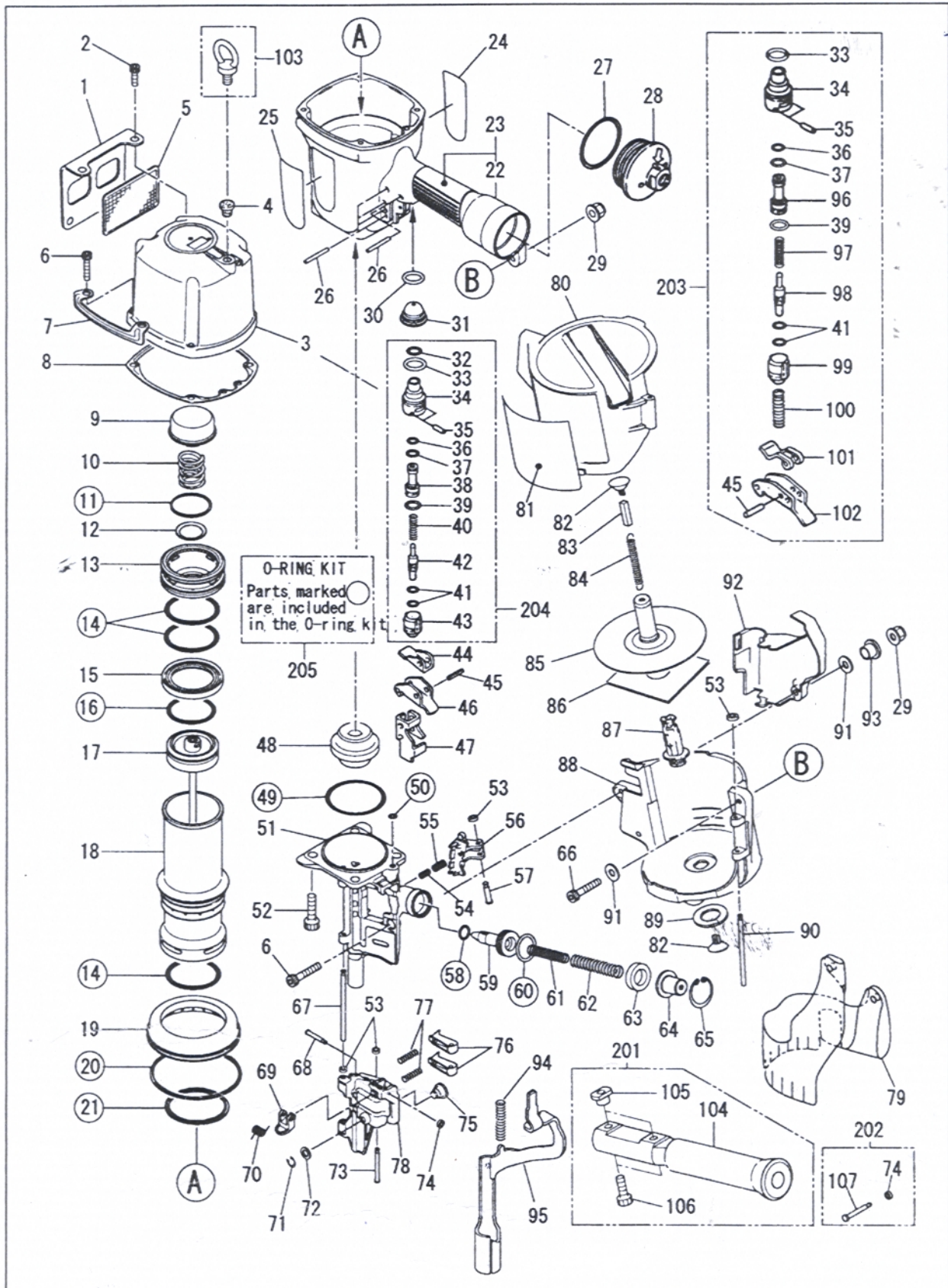


EXPLODED VIEW AND SPARE PARTS LIST (CN100 EPAL)



PARTS LIST FOR CN100EPAL

ITEM NO.	PART NO.	DESCRIPTION	ITEM NO.	PART NO.	DESCRIPTION	ITEM NO.	PART NO.	DESCRIPTION
1	CN36175	EXHAUST COVER	39	HH11113	O-RING 1AP9	77	KK23109	COMPRESSION SPRING 3109
2	BB40415	SCREW M5×10	40	KK24123	COMPRESSION SPRING 4123	78	CN36183	DOOR
3	CN70097	CYLINDER CAP UNIT	41	HH11901	O-RING 1B1.4×2.5	79	CN36191	DUST COVER
4	TA12319	GROMMET	42	CN31347	TRIGGER VALVE STEM	80	CN36186	MAGAZINE COVER
5	CN36176	EXHAUST FILTER "A"	43	CN31346	TRIGGER VALVE CAP	81	CN36190	WARNING LABEL (MAGAZINE)
6	BB40487	SCREW M6×35	44	TA10506	CONTACT LEVER	82	CN30602	RECEIVER, SPRING
7	CN36192	PROTECTOR	45	FF21220	ROLL PIN 3×16	83	CN30601	SPACER
8	CN36171	CYLINDER CAP SEAL	46	TA10505	TRIGGER	84	KK13144	TENSION SPRING 3144
9	CN36173	PISTON STOP	47	CN35855	CONTACT ARM GUIDE	85	CN70104	NAIL SUPPORT UNIT
10	KK23821	COMPRESSION SPRING 3821	48	CN36188	BUMPER	86	CN31578	RUBBER PLATE
11	HH19195	O-RING 1A3×6.8	49	HH14913	O-RING AS568-151	87	CN36198	MAGAZINE POST
12	CN36174	HEAD VALVE WASHER	50	HH11105	O-RING 1AP7	88	CN36185	MAGAZINE
13	CN36172	HEAD VALVE PISTON	51	CN70200	NOSE UNIT	89	EE39603	POST RETAINER
14	HH12906	O-RING 1A3.2×69.5	52	BB40453	SCREW M10×30	90	FF41560	STEP PIN 1560
15	CN36169	HEAD VALVE SEAL	53	EE39602	RUBBER WASHER 7	91	EE39138	PLAIN WASHER 138
16	HH19802	O-RING 5.7×5.4	54	KK23788	COMPRESSION SPRING 3788	92	CN36193	CONTACT ARM COVER
17	CN70100	MAIN PISTON UNIT	55	KK23710	COMPRESSION SPRING 3710	93	CN30707	COLLAR
18	CN36167	CYLINDER	56	CN36181	FEED PAWL	94	KK23820	COMPRESSION SPRING 3820
19	CN36168	CYLINDER RING	57	FF42216	STEP PIN 2216	95	CN36184	CONTACT ARM
20	HH14161	O-RING AS568-244	58	HH11132	O-RING 1AP10A	96	CN33627	PILOT VALVE
21	HH12119	O-RING 1AP70	59	CN36182	FEED PISTON	97	KK23129	COMPRESSION SPRING 3129
22	CN36166	FRAME	60	HH11143	O-RING 1AP21	98	CN31715	TRIGGER VALVE STEM
23	CN70188	FRAME UNIT	61	KK23832	COMPRESSION SPRING 3832	99	CN31716	TRIGGER VALVE CAP
24	CN35636	WARNING LABEL (FRAME)	62	KK23517	COMPRESSION SPRING 3517	100	KK23228	COMPRESSION SPRING 3228
25	CN36189	"CN100EPAL (CE)" LABEL	63	CN32762	FEED PISTON STOP	101	CN34300	CONTACT LEVER
26	FF21611	ROLL PIN 3×32AW	64	CN36194	SPRING COLLAR	102	CN30276	TRIGGER
27	HH12111	O-RING 1AG45	65	JJ22407	RETAINING RING C26	103	BB10401	HANGER
28	KN11247	END CAP	66	BB40469	SCREW M6×40	104	CN35643	GRIP UNIT
29	CC00402	ELASTIC STOP NUT M6	67	FF31285	STRAIGHT PIN 1285	105	CN35641	SPECIAL NUT
30	HH11159	O-RING AS568-016	68	FF41599	STEP PIN 1599	106	BB40411	SCREW M6×20
31	CN31661	TRIGGER VALVE CAGE	69	CN36195	DOOR LATCH	107	FF41842	STEP PIN 1842
32	HH11151	O-RING AS568-013	70	KK33261	TORSION SPRING 3261	201	CN80525	GRIP KIT
33	HH11138	O-RING 1AP20	71	JJ10405	RETAINER "E" 4mm	202	TA81014	STEP PIN KIT
34	CN32247	TRIGGER VALVE HOUSING	72	EE39814	PLAIN WASHER "D"	203	CN80273	DOUBLE SEQUENTIAL KIT
35	FF30161	STRAIGHT PIN 161	73	FF41261	STEP PIN 1261	204	XX70026	TRIGGER VALVE KIT
36	HH11119	O-RING 1AP6	74	EE39609	RUBBER WASHER 1.8×6×2	205	CN81061	O-RING KIT
37	HH11209	O-RING 1BP7	75	FF41837	STEP PIN 1837			
38	CN31589	PILOT VALVE	76	CN30584	CHECK PAWL			